



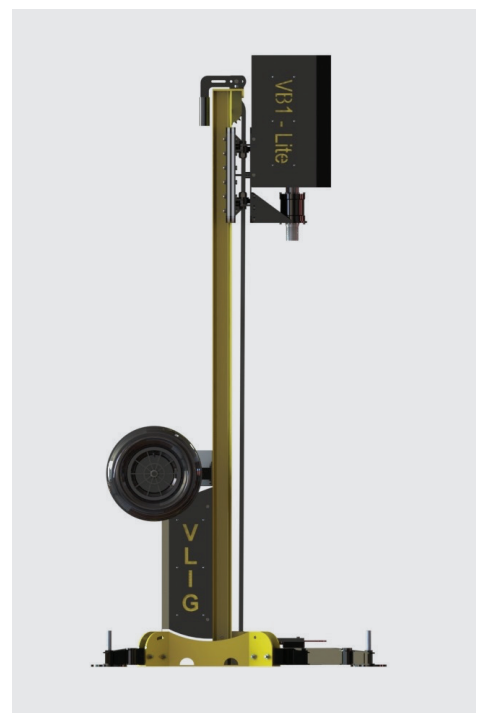
VB1 - LITE MACHINE

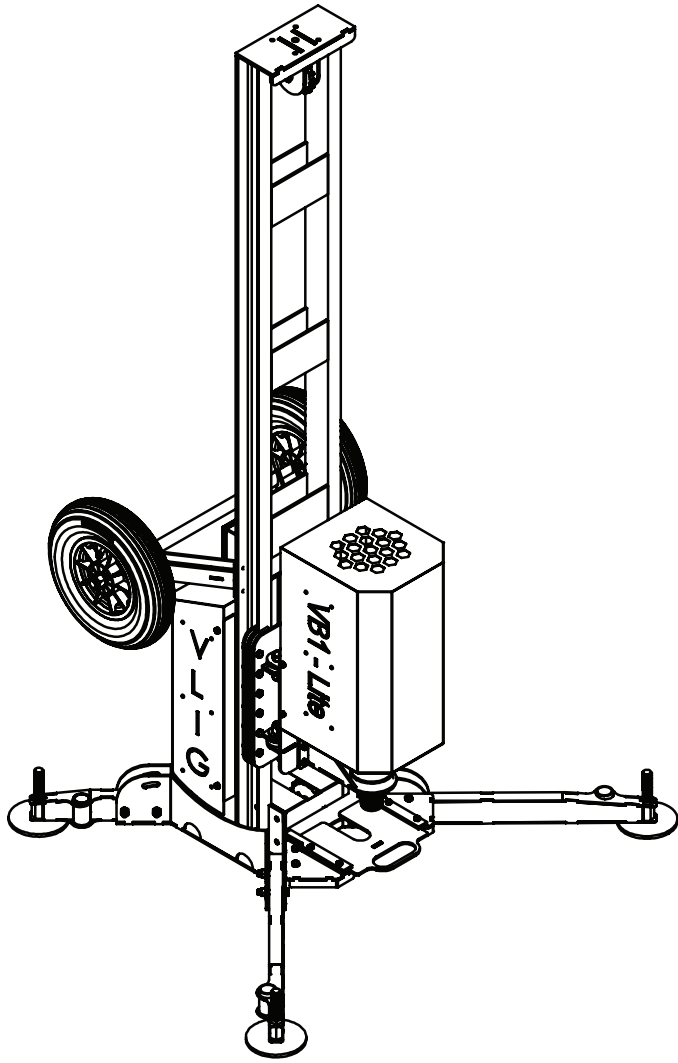


VB1 - LITE MACHINE

VB1 - Lite is compact portable drilling rig. Suitable for multi purpose drilling such as water well, geothermal and geotechnical.

It's light construction makes handling way easier, yet providing great drilling results. Machine operates via remote control ensuring safety and comfort at work place.

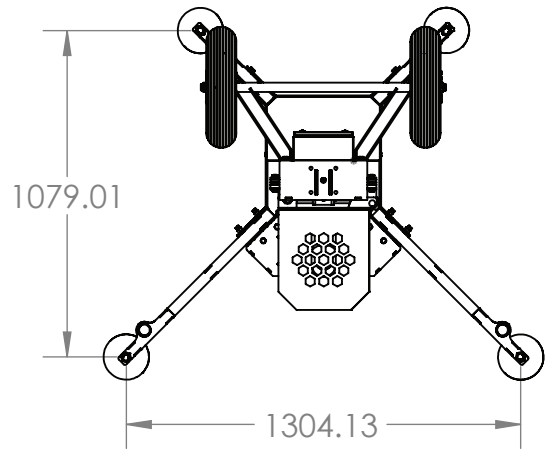




FRONT SIDE

SPECIFICATIONS	VB1 - LITE
Rotary head torque	350nm
Rotary head RPM	40
Max pull up	500kg
Max pull down	250kg
Water swivel head	Yes
Max. pipe length	1.5m
Max drilling depth	35-50m
Max drilling diameter	200mm
Power supply	220V

TOP SIDE



LEFT SIDE

